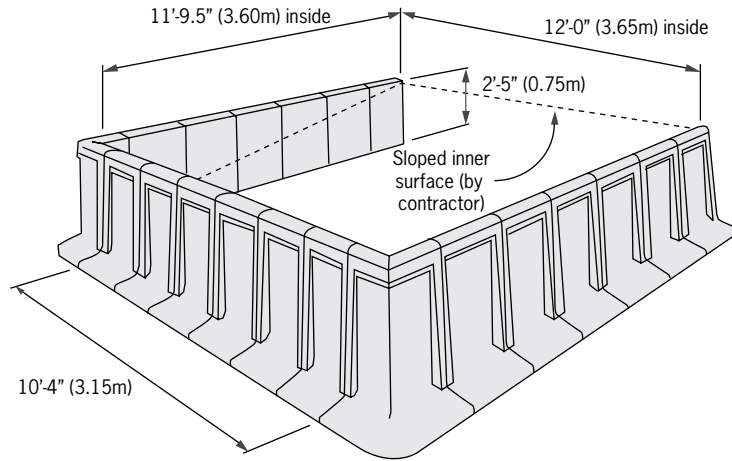
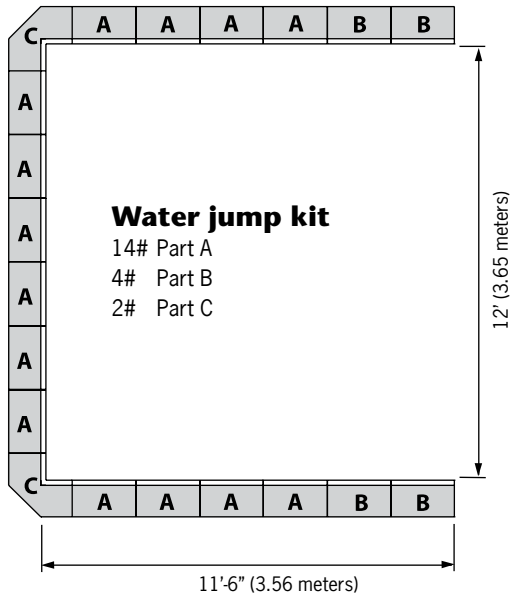
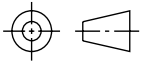
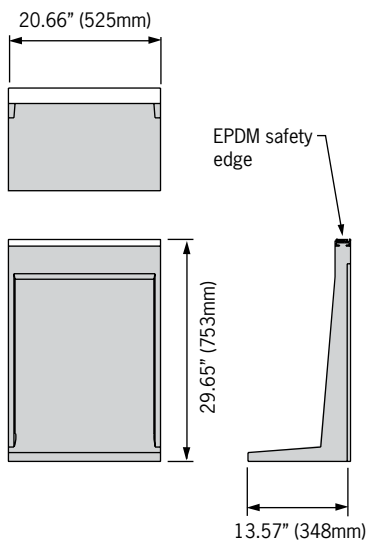


System 8000

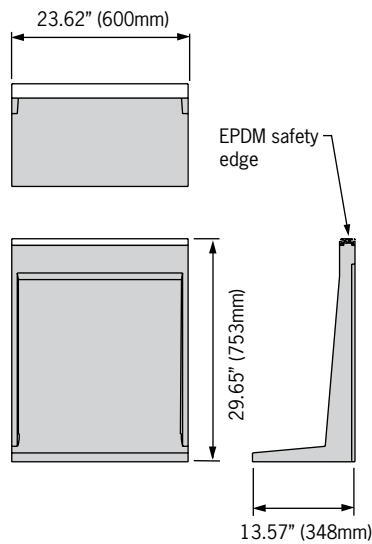
Steeplechase water jump kit



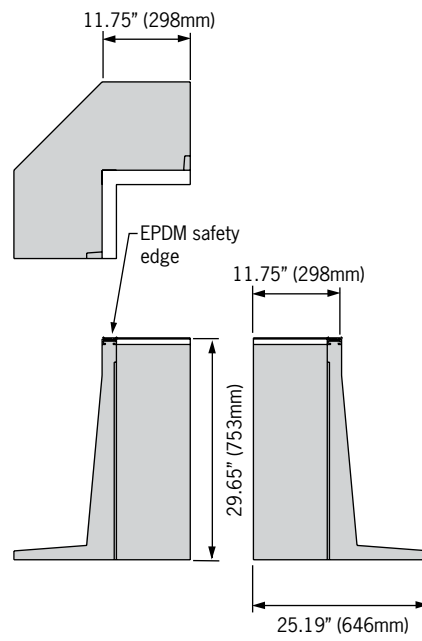
Part A



Part B



Part C



ACO Specification Information



System 8000 Steeplechase water jump

ACO Specification Information

Description	Part No.	Overall Depth		Weight lbs.
		inches	mm	
Water jump construction kit Comprises: 14 straight sections (525mm) (A) 2 corner pieces (B) 4 straight sections (600mm) (C) 38 interlocking bars 76 hex head bolts 76 washers	02159	29.36	753	2,480.0

<p>Part I - General</p> <p>1.1 Related Work - Work specified in other sections includes but is not limited to: Excavation and backfill, cast-in-place concrete, and mechanical equipment.</p> <p>1.2 System Description - elastic edged water jump pre-cast from corrosion resistant polyester polymer concrete for on-site installation.</p> <p>1.3 Submittals - Manufacturer will submit, when required, shop drawings showing schematic plan of water jump system listing all parts being provided with exact center-line dimensions suitable for installation. Copies of the manufacturer's recommended method of installation, assembly, and anchorage shall be submitted for review.</p> <p>1.4 Project History - Manufacturer shall submit a list of projects installed during the past twenty years, if required.</p> <p>1.5 Warranty - ACO provides a limited warranty of one year based on installation according to manufacturer's installation instruction data.</p>	<p>Part II - Product</p> <p>2.1 Products - Manufacturer shall be ACO, Inc.</p> <p>2.2 Physical & Mechanical Characteristics</p> <ul style="list-style-type: none"> • Internal width - 12' (3.65m) • Internal length - 11' - 9.5" (3.95m) • Compressive strength - 14,000 psi • Flexural strength - 4,000 psi • Water absorption rate - <0.1% by weight. <p>2.3 Water Jump Profile - Shall include an integrally cast EPDM rubber safety edge. Pre-cast polymer concrete units shall have 14 sections at lengths of 20.66" (525mm), 4 sections at 23.62" (600mm) and 2 corner sections of 11.75" (298mm).</p> <p>Part III - Installation</p>	<p>3.1 Site Preparation - Excavate area for water jump placement wide enough and deep enough to accommodate water jump and 8-10 inches (200-250mm) concrete encasement. Units require 8-10 inches (200-250mm) of concrete support on both sides as well as beneath units. A string line or laser should be used to set water jump at the required level.</p> <p>3.2 Installation - Water jump sections are installed end to end to create the walls of the water jump. Each section shall be placed on brick or low slump concrete grout slurry to obtain correct finished elevation. Cover EPDM safety edge with tape or plastic to protect the surface during concrete pour. Base should be constructed by contractor in materials and grade specified.</p> <p>3.3 Finishing and Clean-up - Following final set of concrete, remove protection covering the top of each water jump section.</p> <p>3.4 Install in strict accordance with manufacturer's recommendations and drawings. Details available at www.acousa.com/install_drawings_sport.htm</p>
--	--	---

ACO, Inc.

West Sales Office
 825 W Beechcraft Street
 Casa Grande, AZ 85122
 Tel: (520) 421-9988
 Toll Free: (888) 490-9552
 Fax: (520) 421-9899

Northeast Sales Office
 9470 Pinecone Drive
 Mentor, OH 44060
 Tel: (440) 639-7230
 Toll free: (800) 543-4764
 Fax: (440) 639-7235

Southeast Sales Office
 4211 Pleasant Road
 Fort Mill, SC 29708
 Toll free: (800) 543-4764
 Fax: (803) 802-1063



Electronic Contact:
info@ACOSport.us
www.ACOSport.us

