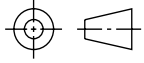
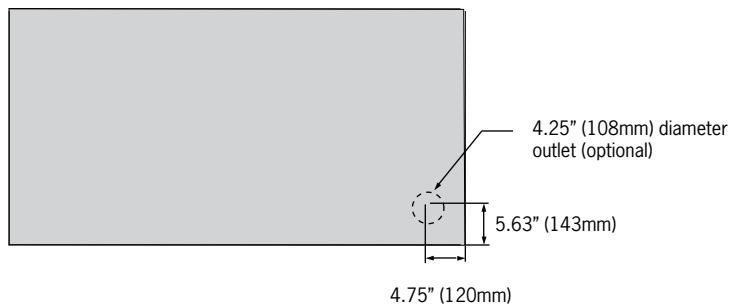
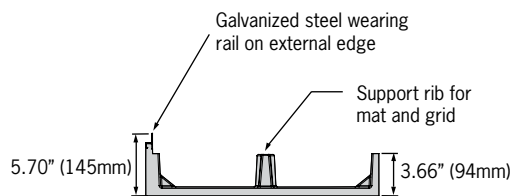
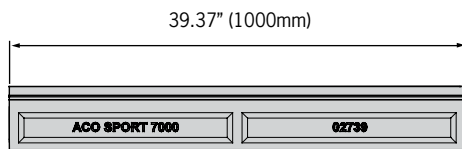
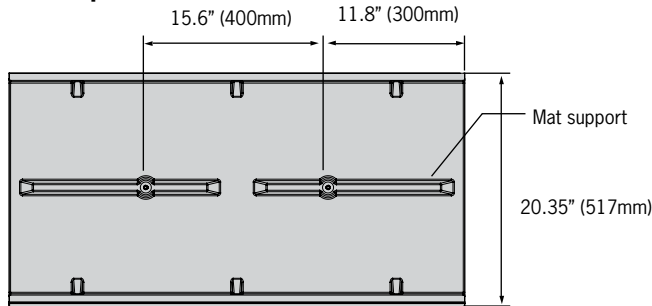


System 7000

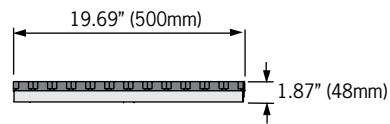
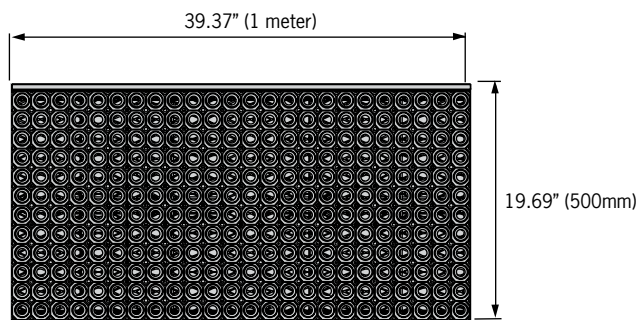
System 7200 Sand trap



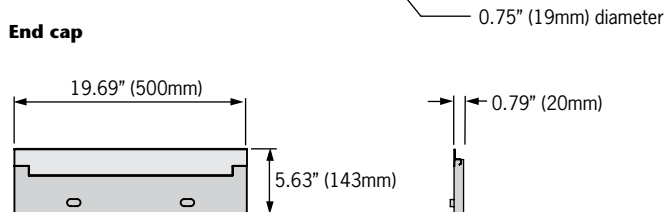
Sand trap base



Rubber mat with steel mesh support



End cap



ACO Specification Information



ACO SPORT

System 7200 Sand trap

Description	Part No.	Overall Depth		Weight lbs.
		inches	mm	
Sand trap base - 39.37" (1000mm)	02739	5.70	145	79.0
Rubber mat with steel mesh support - 39.37" (1000mm)	01453	1.87	48	32.0
End cap	02740	5.63	143	8.0

<p>Part I - General</p> <p>1.1 Related Work - Work specified in other sections includes but is not limited to: Excavation and backfill, cast-in-place concrete, and mechanical equipment.</p> <p>1.2 System Description - Modular sand trap system pre-cast from corrosion resistant polyester polymer concrete including interlocking modular components for on-site installation.</p> <p>1.3 Submittals - Manufacturer will submit, when required, shop drawings showing schematic plan of total sand trap system listing all parts being provided with exact center-line dimensions suitable for installation. Copies of the manufacturer's recommended method of installation, assembly, and anchorage shall be submitted for review.</p> <p>1.4 Project History - Manufacturer shall submit a list of projects installed during the past twenty years, if required.</p> <p>1.5 Warranty - ACO provides a limited warranty of one year based on installation according to manufacturer's installation instruction data.</p>	<p>Part II - Product</p> <p>2.1 Products - Manufacturer shall be ACO, Inc.</p> <p>2.2 Physical & Mechanical Characteristics</p> <ul style="list-style-type: none"> • Overall width - 20.35 inches (517mm) • Unit depth - 5.70 inches (145mm) • Unit length - 39.37 inches (1000mm) • Compressive strength - 14,000 psi • Flexural strength - 4,000 psi • Water absorption rate - <0.1% by weight. <p>2.3 Sand Trap Profile - Shall include a galvanized steel wearing edge on one side to create an aesthetic edge for the mat to sit against and a functional edge up to which paving material can be installed. The opposite edge shall have a straight edge to butt against the elastic curb border (see ACO Sport System 7100 for details). Each pre-cast polymer concrete unit shall be one meter (39.37") long.</p> <p>2.4 Cover - Shall include a non-slip rubber mat with 0.75" (19mm) diameter holes which sits on top of galvanized steel mesh support grate. Covers are 19.69 inches (500mm) by 39.37 inches (1 meter) long.</p> <p>Part III - Installation</p>	<p>3.1 Site Preparation - Excavate area for sand trap placement wide enough and deep enough to accommodate the sand trap and a minimum of 4 inches (100mm) concrete encasement. Units require a minimum of 4 inches (100mm) of concrete support on both sides as well as beneath sand trap. Top of sand trap must be evenly aligned to the surface of the surrounding slab.</p> <p>3.2 Installation - Sand trap sections are installed end to end. Each section shall be placed on brick, rebar basket, low slump concrete grout slurry, or suspended to obtain correct finished elevation. If cuts are required a masonry or concrete saw may be used. Cover top of the sand trap with plastic, or plywood strips to protect the surface during concrete pour.</p> <p>3.3 Finishing and Clean-up - Following final set of concrete, remove protection covering the top of the sand trap, fit rubber mat/steel support grate.</p> <p>3.4 Install in strict accordance with manufacturer's recommendations and drawings. Details available at www.acousa.com/install_drawings_sport.htm</p>
---	---	---

ACO, Inc.
West Sales Office
 825 W Beechcraft Street
 Casa Grande, AZ 85122
 Tel: (520) 421-9988
 Toll Free: (888) 490-9552
 Fax: (520) 421-9899

Northeast Sales Office
 9470 Pinecone Drive
 Mentor, OH 44060
 Tel: (440) 639-7230
 Toll free: (800) 543-4764
 Fax: (440) 639-7235

Southeast Sales Office
 4211 Pleasant Road
 Fort Mill, SC 29708
 Toll free: (800) 543-4764
 Fax: (803) 802-1063

Follow us on



Electronic Contact:
 info@ACOSport.us
 www.ACOSport.us

