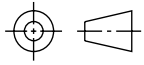


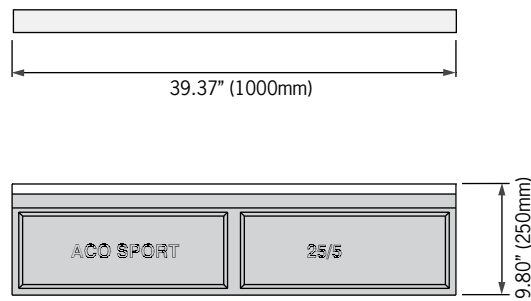
System 7000

7100 Elastic curbing for sport and play areas

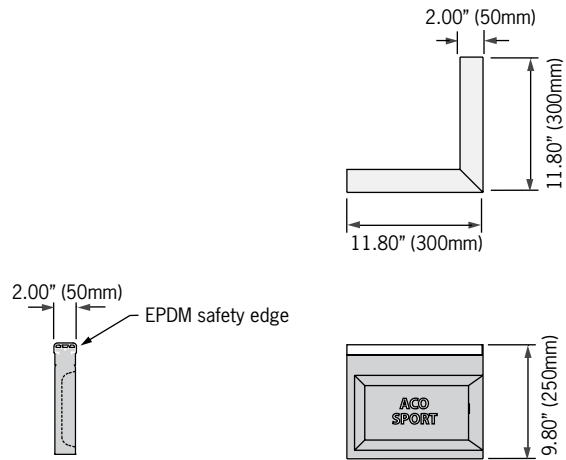


2 inch wide system

Straight curb section

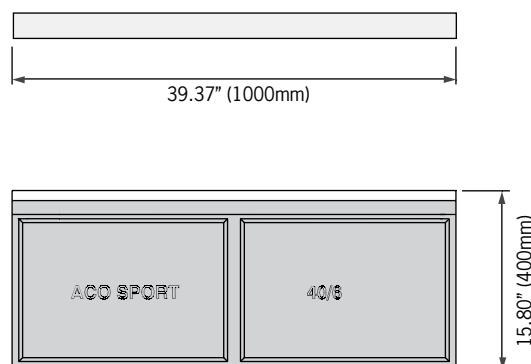


Corner unit

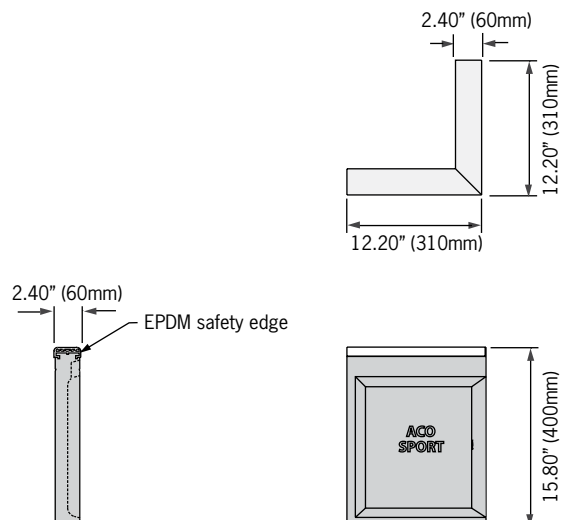


2.4 inch wide system

Straight curb section



Corner unit



ACO SPORT

System 7100 Elastic curbing

| Description | Part No. | Overall Depth | | Weight lbs. |
|--|--------------|---------------|-----|-------------|
| | | inches | mm | |
| 2 inch curb sections | | | | |
| 2.0" white straight curb - 39.37" (1m) | 00962 | 9.80 | 250 | 31.8 |
| 2.0" white corner curb | 00968 | 9.80 | 250 | 17.0 |
| 2.0" black straight curb - 39.37" (1m) | 00960 | 9.80 | 250 | 31.8 |
| 2.0" black corner curb | 01041 | 9.80 | 250 | 17.0 |
| 2.4 inch curb sections | | | | |
| 2.4" white straight curb - 39.37" (1m) | 00964 | 15.80 | 400 | 45.6 |
| 2.4" white corner curb | 00969 | 15.80 | 400 | 26.5 |

Part I - General

- 1.1 **Related Work** - Work specified in other sections includes but is not limited to: Excavation and backfill, cast-in-place concrete, and mechanical equipment.
- 1.2 **System Description** - Modular elastic curbing pre-cast from corrosion resistant polyester polymer concrete for on-site installation.
- 1.3 **Submittals** - Manufacturer will submit, when required, shop drawings showing schematic plan of total curb/bordering system listing all parts being provided with exact center-line dimensions suitable for installation. Copies of the manufacturer's recommended method of installation, assembly, and anchorage shall be submitted for review.
- 1.4 **Project History** - Manufacturer shall submit a list of projects installed during the past twenty years, if required.
- 1.5 **Warranty** - ACO provides a limited warranty of one year based on installation according to manufacturer's installation instruction data.

Part II - Product

- 2.1 **Products** - Manufacturer shall be ACO, Inc.
- 2.2 **Physical & Mechanical Characteristics**
 - Overall width - 2.00 inches (50mm), or 2.40 inches (60mm)
 - Unit depth - 9.80 inches (250mm), or 15.80 inches
 - Unit length - 39.37 inches (1000mm)
 - Compressive strength - 14,000 psi
 - Flexural strength - 4,000 psi
 - Water absorption rate - <0.1% by weight
- 2.3 **Elastic Curb Profile** - Shall include an integrally cast EPDM rubber safety edge. Each pre-cast polymer concrete unit shall be one meter (39.37") long. Corner units are available to create a 90° angle.

Part III - Installation

- 3.1 **Site Preparation** - Excavate area for curb placement wide enough and deep enough to accommodate the curb and a minimum of 4 inches (100mm) concrete encasement. Units require a minimum of 4 inches (100mm) of concrete support on both sides as well as beneath curb. A string line or laser should be used to set curbs at the required level.
- 3.2 **Installation** - Curb sections are installed end to end. Each section shall be placed on brick or low slump concrete slurry to obtain correct finished elevation. If cuts are required a masonry or concrete saw may be used. Cover EPDM safety edge with tape or plastic to protect the surface during concrete pour.
- 3.3 **Finishing and Clean-up** - Following final set of concrete, remove protection covering the top of the curbs.
- 3.4 **Install in strict accordance with manufacturer's recommendations and drawings. Details available at www.acousa.com/install_drawings_sport.htm**

ACO, Inc.

West Sales Office
 825 W Beechcraft Street
 Casa Grande, AZ 85122
 Tel: (520) 421-9988
 Toll Free: (888) 490-9552
 Fax: (520) 421-9899

Northeast Sales Office
 9470 Pinecone Drive
 Mentor, OH 44060
 Tel: (440) 639-7230
 Toll free: (800) 543-4764
 Fax: (440) 639-7235

Southeast Sales Office
 4211 Pleasant Road
 Fort Mill, SC 29708
 Toll free: (800) 543-4764
 Fax: (803) 802-1063

Follow us on



Electronic Contact:
 info@ACOSport.us
 www.ACOSport.us

