

Surface Drainage and
Building Elements



ACO SPORT

System 3000 Product Brochure

Slotted Athletic Track and Field Drainage System

Ideal for High School and Amateur Stadiums



System 3000

Sporting facilities can use a wide variety of hard & soft surface materials. All external venues should incorporate surface drainage to protect these sport surfaces.

Running Tracks

Running tracks are the most common use for System 3000. The system is supplied in straight and radiused channels with matching in-line catch basin to provide a continuous run around the entire running track.



System 3000 channels

System 3000 channels are one meter (39.37") long and designed for use where a smooth transition from running track to sport field is required.

System 3000 channels are ideal for use where synthetic track surface is used on both sides of the drain - such as 'D' areas and high jump areas.

System 3000 catch basin

The System 3000 catch basin is an in-line outlet, placed at intervals throughout the trench run around the track. A removable polymer concrete cover provides easy access without detracting from overall aesthetics. Track material can be applied to cover for a totally discreet solution.

An optional plastic trash bucket fits inside the catch basin and acts as a sieve to collect debris washed into the system.

Regular emptying and cleaning will help prevent pipe blockages and flooding. The catch basin features a drill-out for a 6" outlet pipe connection. Other size pipes can be connected by custom cutting using a core-drill.





Tapered drainage slot - 0.50" (12.7mm) drainage slot centrally located for versatility of use. ADA compliant.



Smooth, flat top surface - provides excellent surface to glue carpet style track surfacing to.

U-shaped profile - offers excellent hydraulic performance.

Interconnecting profiles - male/female end details allows easy and effective joining of channels.

Profiled side walls - side pillars provide additional channel body strength, and concrete keys hold channel securely in concrete surround.

Slot bridges - prevent slot closing due to pressure during concrete pour. Each channel has two bridges.

Polymer concrete - durable, yet lightweight, material made from polyester resin binder reinforced by mineral aggregates and fillers. Provides up to four times the compressive strength of cement concrete and almost twice the compressive strength of HDPE. Offers a thermal expansion ratio similar to the concrete surround, particularly important where long runs are used to prevent 'buckling'.

Direction arrows - arrows point from female end towards male end of channel. For track use, these normally point clockwise around the track when viewed from inside the track. For radius channels this is critical to ensure radius is oriented correctly.

Channels - straight or radius channels available to enable continuous drainage around entire 400 meter track.

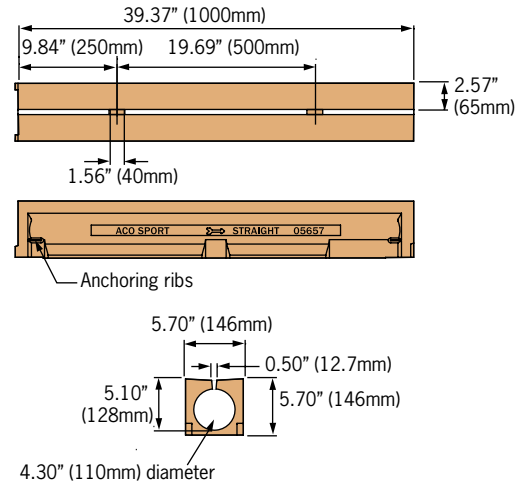
Neutral depth - Channels are supplied in neutral depths. This makes installation simple and provides ample hydraulics for the majority of track applications.



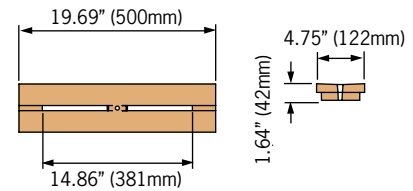
	Part No.	Length in (mm)	Width in (mm)	Height in (mm)	Weight lbs
System 3000 channels					
Straight	05657	39.4 (1000)	5.7 (146)	5.7 (146)	43.0
Radiused	05658	39.4 (1000)	5.7 (146)	5.7 (146)	43.0
In-line catch basin					
Catch basin	05625	21.8 (552)	5.7 (146)	20.8 (528)	64.5
Polymer concrete cover	05661	19.7 (500)	4.8 (122)	1.64 (42)	9.0
Plastic trash bucket	01498	17.6 (448)	3.5 (90)	9.3 (235)	1.1



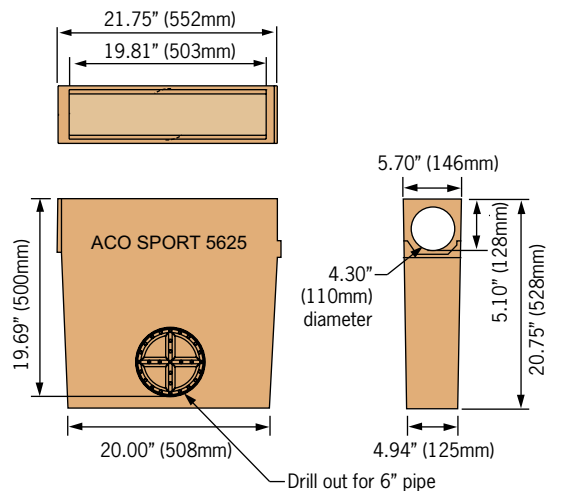
Channel



Catch basin cover



Catch basin



Catch basin flow rates

Outlet	Outlet Size	Invert Depth	GPM	CFS
A	6" round	19.69"	500	1.11



Other ACO SPORT systems

- **System 1000**
The premier running track drain system with canopy cover.
- **System 2000**
The premier slotted running track drain system as used on IAAF tracks.
- **System 4000**
An open channel drain with removable grates. Ideal for tennis courts and general sport field use.
- **System 6000**
The premier open channel drain system with synthetic turf clamping device.
- **System 7000**
Modular jump pits, sand traps and rubber capped curbs for long jump pits.
- **System 8000**
A series of accessories for water jump, pole vault and throwing disciplines.
- **System 9000**
A simple polymer concrete stadium terracing and seating system for college and school facilities.

ACO Polymer Products, Inc.

East Sales Office

P.O. Box 245
Chardon, OH 44024
Tel: (440) 285-7000
Toll free: (800) 543-4764
Fax: (440) 285-7005

West Sales Office

P.O. Box 12067
Casa Grande, AZ 85130
Tel: (520) 421-9988
Toll Free: (888) 490-9552
Fax: (520) 421-9899

Electronic Contact:

info@acousa.com
www.acousa.com



Follow us on



© January 2011 ACO Polymer Products, Inc.

All reasonable care has been taken in compiling the information in this document. All recommendations and suggestions on the use of ACO products are made without guarantee since the conditions of use are beyond the control of the Company. It is the customer's responsibility to ensure that each product is fit for its intended purpose and that the actual conditions of use are suitable. ACO Polymer Products, Inc. reserves the right to change products and specifications without notice.

Re-order Part # AS005